

1-Needle, Unison-feed, Lockstitch Machine
一本針本縫総合送りミシン

DNU-1541 · 1541H

1-Needle, Unison-feed, Lockstitch Machine
(with a Safety Device For Hook)

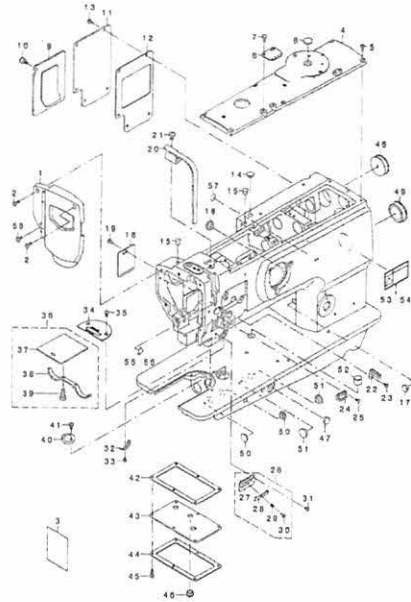
一本針本縫総合送りミシン (安全装置付き)

DNU-1541S
PARTS LIST

40023360
No.1401-02

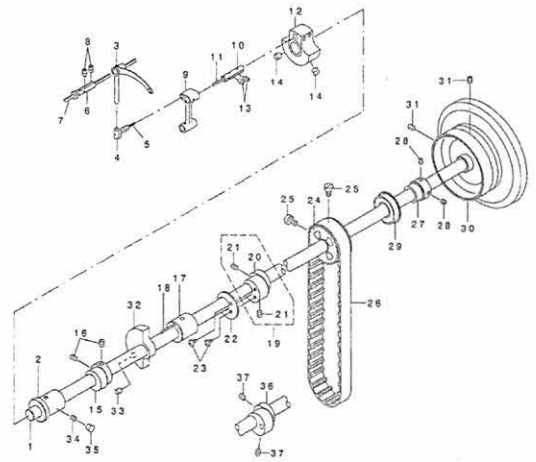
1. FRAME & MISCELLANEOUS COVER COMPONENTS

頭部・外装関係



2. UPPER SHAFT DRIVING & BALANCE COMPONENTS

上軸・天秤関係



REF. NO.	NOTE	PART NO.	DESCRIPTION	QTY.
1		400-10758	FACE PLATE ASM.	1
2		SS-411215-SP	SCREW 11/64-40 Lx12	2
3		400-18114	LUBRICATION SUPPLEMENT	1
4		213-31031	TOP COVER B	1
5		SS-411015-SP	SCREW 11/64-40 Lx8	4
6		213-25564	NEW THREAD GUIDE	1
7		SS-761040-SP	SCREW 3/16-32 Lx 9.5	2
8		7A-1405404-RD	RUBBER PLUG DIA. 5 Lx4	1
9		213-31750	WINDOW PLATE A ASM.	1
10		213-31212	SEWING	1
11		213-31250	WINDOW PLATE B	1
12		213-32002	WINDOW PLATE PACKING B	1
13		SS-411015-SP	SCREW 11/64-40 Lx8	5
14		7A-1055004-RD	RUBBER PLUG	1
15		7A-0750704-RD	RUBBER PLUG	2
16		7A-1055004-RD	RUBBER PLUG	1
17		7A-1055004-RD	RUBBER PLUG	1
18		213-32509	SIDE COVER	1
19		SS-411015-SP	SCREW 11/64-40 Lx8	1
20		213-31608	BALANCE COVER	1
21		SS-710010-TP	SCREW 1/4-40 Lx8	1
22	204	213-35006	THREAD GUIDE	1
23	204	SS-590010-SP	SCREW 5/64-40 Lx6	1
24		81120-051-000	FRAME THREAD GUIDE, UPPER	1
25		SS-590010-TP	SCREW 5/64-40 Lx7.2	2
26		214-10554	THREAD GUIDE ASM.	1
27		214-10555	THREAD GUIDE PLATE	(1)
28		179-12100	NEEDLE THREAD PRESSER PLATE	(1)
29		81132-331-000	THREAD PRESSER PLATE SPRING	(1)
30		SS-020001-SP	WINDUP SCREW 3/80 8x5.5	(1)
31		SS-280070-TP	SCREW 5/64-40 Lx7.2	(1)
32		81136-312-000	TAKE UP SPRING ADJUSTING PLATE	1
33		SS-700020-TP	SCREW 5/64-40 Lx4.5	1
34		214-10006	THROAT PLATE	1
35		SS-2110020-TP	SCREW 11/64-40 Lx8.5	2
36		81112-041-000	REINFORCING RIB	(1)
37		81112-241-000	REINFORCING RIB	(1)
38		81111-007-000	SLIDE PLATE SPRING	(1)
39		SS-600010-SP	SCREW 3/252-56 Lx 9	(2)
40		81103-141-000	SCALE BASE PLATE	1
41		SS-7110720-TP	SCREW 11/64-40 Lx7	2
42		214-01002	WASHER	1
43		214-01401	OIL TANK COVER	1
44		214-01500	OIL TANK COVER PLATE	1
45		SS-411215-SP	SCREW 11/64-40 Lx12	6
46		7A-1055004-RD	RUBBER PLUG	2
47		7A-1055004-RD	RUBBER PLUG	1
48		102-81200	RUBBER PLUG	1
49		228-19100	CAP	1
50	203	7A-1250004-RD	RUBBER PLUG DIA. 5 Lx4	1
51	203	7A-1250004-RD	RUBBER PLUG	2
52	203	214-01008	PISTON	1
53	201	CS-3002001-01	SAFETY LABEL, 1(SMALL)	1
54	202	CS-3002001-01	SAFETY LABEL, 3(SMALL)	1
55	201	CS-3002000-01	SAFETY LABEL, 1(LARGE)	1
56	202	CS-3002000-01	SAFETY LABEL, 3(LARGE)	1
57	201	CS-3002000-01	ATTENTION SEAL	1
58		229-01805	GROUNDED MARK	1
59		SS-4110015-SP	SCREW 11/64-40 Lx9	1

NOTE (REAR) 201... FOR USE IN JAPAN
202... EXCEPT USE IN JAPAN
203... FOR DNU-1541-DNU-1541H
204... FOR DNU-1541-DNU-1541S

REF. NO.	NOTE	PART NO.	DESCRIPTION	QTY.
1		213-32705	UPPER SHAFT	1
2		213-33000	UPPER SHAFT FRONT METAL	1
3		214-01005	THREAD TAKE-UP LEVER	1
4		228-05408	TAKE-UP LEVER THRUST PIN	1
5		CQ-3020000-00	OIL WICK	0.60
6		213P-051-000	TAKE-UP LEVER PIN	1
7		CQ-3030000-00	OIL WICK	0.45
8		SS-810022-TP	SCREW 15/64-28 Lx8	2
9		213-30100	NEEDLE BAR CRANK ROD	1
10		81120-051-000	NEEDLE BAR CRANK PIN	1
11		CQ-3050000-00	OIL WICK	0.60
12		213-32507	COUNTER WEIGHT (A) (36MM)	1
13		SS-810022-TP	SCREW 15/64-28 Lx8	2
14		SS-805012-TP	SCREW M5x8	2
15		213-35002	UPPER FEED CAM (3.5)	1
16		SS-880010-TP	SCREW 1/4-40 Lx8	2
17		213-33109	UPPER SHAFT INNER METAL	1
18		CQ-3020000-00	OIL WICK	0.15
19	201	213-36557	ECCENTRIC CAM A ASM.	1
20		213-36558	ECCENTRIC CAM A	(1)
21		SS-880010-TP	SCREW 1/4-40 Lx8	(2)
22	201	213-35006	HORIZONTAL FEED CAM COVER	1
23	201	SS-7110710-SP	SCREW 11/64-40 Lx7	2
24		228-04004	UPPER SPROCKET	1
25		SS-608110-SP	SCREW 1/4-40 Lx11	2
26		228-04000	TYPING KEY	1
27		214-02300	UPPER SHAFT BEARING HOOD	1
28		SS-806002-TP	SCREW M5x6	2
29		81103-312-000	BUSHING, BEAR	1
30		213-24008	FEELER	1
31		SS-810022-TP	SCREW 15/64-28 Lx8	1
32		213-33405	BALANCER	1
33		SS-810150-SP	SCREW 15/64-28 Lx15	2
34		SS-8100710-TP	SCREW 15/64-28 Lx7	1
35		7A-0250704-RD	RUBBER PLUG	1
36	202	400-19005	TRANSMISSION CAM A	1
37	202	SS-880010-TP	SCREW 1/4-40 Lx8	2

NOTE (REAR) 201... FOR DNU-1541-DNU-1541S
202... FOR DNU-1541H DNU-1541H用

3. NEEDLE BAR ROCKING COMPONENTS

針棒揺動関係

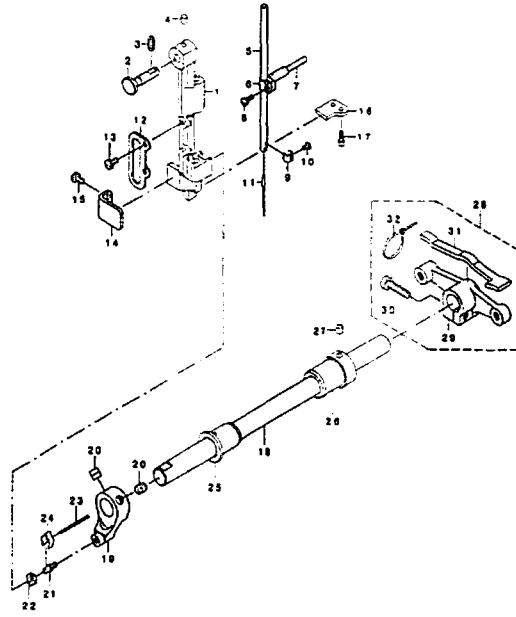


FIG. NO.	QTY.	PART NO.	DESCRIPTION	REMARKS	UNIT
1	1	B1420-563-000	NEEDLE BAR FRAME	A38 9393 93 1	1
2	1	214-02104	HINGE STUD	A38 9393 93 2	1
3	1	SS-8151150-7P	SCREW 15/64-28 L=10.5	1539 15/64-28 L=10.5	1
4	1	225-14809	WELT	939 9393713	1
5	1	B1401-023-000	NEEDLE BAR	A38 -	1
6	1	B1411-013-000	NEEDLE BAR CONNECTION	A38 - 3 9	1
7	1	94115-051-000	WELT	A38 - 3 9 724	1
8	1	SS-7009110-5P	SCREW 9/64-40 L= 8.5	152513 9/64-40 L=8.5	1
9	1	103-08429	THREAD GUARD	A38 9393	1
10	1	SS-7026210-7P	SCREW 1/8-64 L=4.5	152513 1/8-64 L=4.5	1
11	1	HC-3710018-00	NEEDLE STAYS TRO	A38 37100 100	1
12	1	B1481-563-000	UPPER FEED BAR GUIDE	939393 93 1	1
13	2	SS-7110810-7P	SCREW 11/64-40 L=8.5	152513 11/64-40 L=8.5	2
14	1	213-28400	ROCKING KALE GUIDE	A38 9393 93 1734	1
15	2	SS-7110830-8P	SCREW 11/64-40 L= 8.5	152513 11/64-40 L=8.5	2
16	1	213-28403	ROCKING KALE GUIDE (R)	A38 9393 93 1737(1)	1
17	2	SS-6091022-7P	SCREW	1513	2
18	1	213-38900	ROCKING SHAFT	A38 9393 93 2	1
19	1	213-38801	ROCKING FRONT ARM	A38 9393 93 2 93	1
20	2	SS-6050822-7P	SCREW	1513	2
21	1	B1410-371-000	STUD	A38 - 3 3 - 93 2 93 9	1
22	1	B1414-132-000	SQUARE BLOCK	93 2 9	1
23	0.05	CQ-2020000-00	OIL WICK	377	0.05
24	1	B1437-031-000	OIL WICK RETAINER	3 3 3 9 3 9 3 37713	1
25	1	213-38304	ROCKING SHAFT FRONT METAL	A38 9393 93 28291	1
26	1	400-11748	BUSHING REAR	A38 9393 93 711333	1
27	1	213-14808	WELT	939 9393713	1
28	1	213-38016	ROCKING REAR ARM ASM.	A38 9393 93 277 93 (1)	1
29	1	213-39007	ROCKING REAR ARM	A38 9393 93 277 93 (1)	1
30	1	SS-8151840-5P	SCREW 15/64-28 L=21.5	1539 15/64-28 L=21.5	(1)
31	1	213-37606	ROCKING REAR ARM WELT	A38 9393 93 277 93 724	(1)
32	0.02	CA-5500001-00	CABLE WAX	9393 2 9	0.02

4. PRESSURE ADJUSTING & UPPER FEED

押入圧調節・上送り関係

MECHANISM COMPONENTS

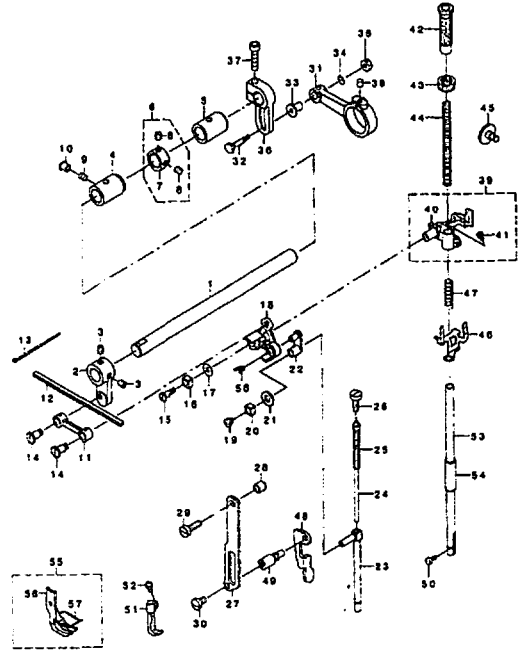


FIG. NO.	QTY.	PART NO.	DESCRIPTION	REMARKS	UNIT
1	1	213-40401	UPPER FEED SHAFT	939393 9	1
2	1	213-40500	UPPER FEED FRONT ARM	939393 27 93	1
3	2	SS-8400812-7P	SCREW 1/4-40 L=6	1539 1/4-40 L=6	2
4	1	213-41504	THROST METAL	939393 9393	1
5	1	213-78302	FEED SHAFT METAL	214(9393) 9393	1
6	1	213-04185	MAIN SHAFT THROST COLLAR ASM.	939 939393(7)	1
7	(1)	213-04106	MAIN SHAFT THROST COLLAR	939 939393	(1)
8	(2)	SS-5050610-7P	SCREW 1/4-40 L=6	1539 1/4-40 L=6	(2)
9	1	SS-8150710-7P	SCREW 15/64-28 L=7	1539 15/64-28 L=7	1
10	1	TA-0750704-RD	WHEELER PLUG	1512	1
11	1	400-33026	UPPER FEED LINK	93939393	1
12	1	213-47109	WELT	93939393713	1
13	2	EA-9500200-CO	CLIP CV-703	939393 00	2
14	2	400-18340	SCREW	9 2 13	2
15	1	400-18219	SCREW	9 2 13	1
16	1	B1414-385-000	WHEELER BLOCK	A38 93 9 939393	1
17	1	WP-0501046-SC	WASHER 5 X 13 X 1	159 5 13 14X1	1
18	1	400-33028	TRIANGULAR LEVER ASM.	939393 (9)	1
19	1	SS-7110510-5P	SCREW 11/64-40 L=5	152513 11/64-40 L=5	1
20	1	B1414-055-000	SLING BLOCK	A38 93 9 939393	1
21	1	103-07011	WELT	939 93 939393(1)	1
22	1	400-18341	WALKING BAR DRIVING LINK	93939393 9393	1
23	1	400-33020	WALKING BAR A	939393 9 1	1
24	1	B1487-033-010	WALKING BAR ASM.	939393 3 27 8 - 92	1
25	1	B1488-033-000	WALKING BAR SPRING	939393 - 93 9	1
26	1	SS-8151740-5P	SCREW 15/64-28 L=17.0	1539 15/64-28 L=17	1
27	1	214-06299	UPPER FEED GUIDE PLATE	939393 19	1
28	1	263-32011	ROLLER	151393 32	1
29	1	SS-8151920-5P	SCREW 15/64-28 L=18.0	1539 15/64-28 L=18	1
30	1	SS-7130740-5P	SCREW 15/64-28 L=7	152513 15/64-28 L=7	1
31	1	213-40104	UPPER FEED TRO	93939393	1
32	1	D1454-035-000	HINGE SCREEN	939393 93 9393 9	1
33	1	D1455-035-000	CONNECTING STUD	159 9 4 8X11.5X2	1
34	1	WP-0482034-SD	WASHER 4, 8X11, 5X2	159 4 8 11.5 2	1
35	1	SS-8151830-5P	WRT 11/64-40	939393 11/64-40	1
36	1	214-37905	UPPER FEED REAR ARM	93939393 93	1
37	1	SS-6061502-7P	SCREW 15 L=25	07927778 15 L=25	1
38	1	213-14909	WELT	939 939393(1)	1
39	1	400-33032	PRESSER BAR HOLDER A ASM.	9393 93 9 4 (94)	1
40	1	400-33031	PRESSER BAR HOLDER A	9393 93 9 4	(1)
41	1	SS-7110910-7P	SCREW 11/64-40 L= 8.5	152513 11/64-40 L=8.5	(1)
42	1	213-48906	PRESSER ADJUSTING SCREEN	93939393	1
43	1	213-07604	PRESSER SPRING REGULATOR WRT	93939393 93	1
44	1	B1503-216-000	PRESSER SPRING	939 9393 9 3	1
45	1	SP-0500041-EP	HINGE SCREEN D= 8 B= 4.9	9 2 13 D=8 B=4.9	1
46	1	213-41151	THREAD RELEASE HOLDING PLATE	15251393(9393 9)	1
47	1	B1487-033-000	THREAD RELEASE CYLIND	15251393(9 3)	1
48	1	214-06103	PRESSER LIFTER LEVER	939393 15 -	1
49	1	214-06405	GUIDE PLATE SPACER	9 15 128 15 - 9	1
50	1	SS-6090310-7P	SCREW 9/64-40 L=9	1539 9/64-40 L=9	1
51	1	B1471-241-000	WELT	939 9393	1
52	1	B1471-241-000	SCREW	15 1	1
53	1	B1501-241-000	PRESSER BAR	9393 -	1
54	1	B1310-155-000	PRESSER BAR LOWER PUSHING	9393 - 9393	1
55	1	B1523-241-000	PRESSER FOOT ASM.	9393 93 1	1
56	(1)	B1523-241-000	PRESSER FOOT	9393	(1)
57	(1)	103-37905	FINGER GUARD	15 9 - 15	(1)
58	0.02	CQ-2510000-00	OIL WICK	377	0.02

FEED MECHANISM COMPONENTS

送り関係

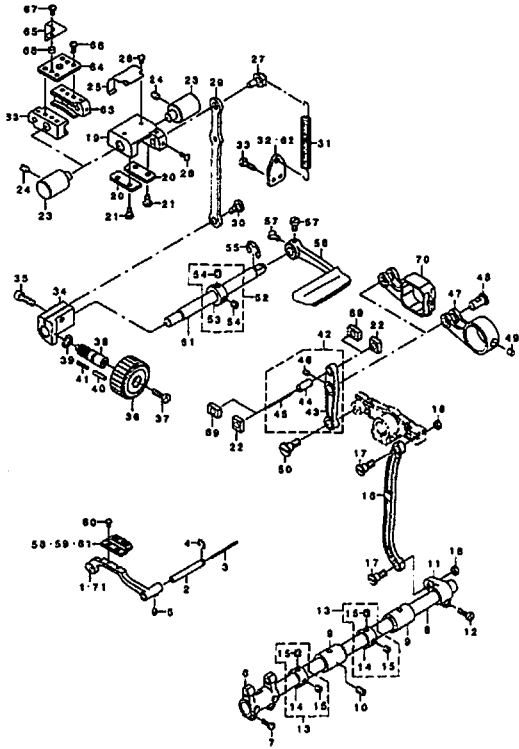
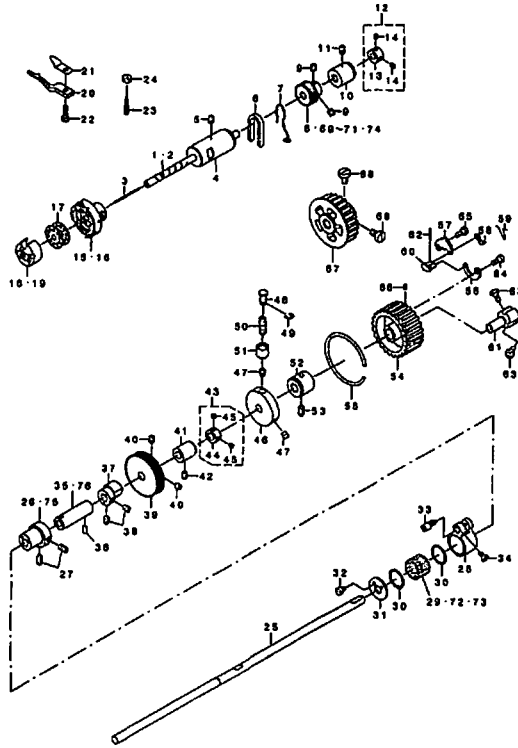


FIG. NO.	PART NO.	DESCRIPTION	QTY	REMARKS
1	206	314-04020	FEED SHAFT	1
2	314-04100-000-A	FEED SHAFT	1	
3	02-222000-00	GIL WICK	1	
4	02-000010-00	FEED SHAFT	1	
5	02-000010-00	FEED SHAFT	1	
6	02-000010-00	FEED SHAFT	1	
7	02-000010-00	FEED SHAFT	1	
8	02-000010-00	FEED SHAFT	1	
9	02-000010-00	FEED SHAFT	1	
10	02-000010-00	FEED SHAFT	1	
11	02-000010-00	FEED SHAFT	1	
12	02-000010-00	FEED SHAFT	1	
13	02-000010-00	FEED SHAFT	1	
14	02-000010-00	FEED SHAFT	1	
15	02-000010-00	FEED SHAFT	1	
16	02-000010-00	FEED SHAFT	1	
17	02-000010-00	FEED SHAFT	1	
18	02-000010-00	FEED SHAFT	1	
19	02-000010-00	FEED SHAFT	1	
20	02-000010-00	FEED SHAFT	1	
21	02-000010-00	FEED SHAFT	1	
22	02-000010-00	FEED SHAFT	1	
23	02-000010-00	FEED SHAFT	1	
24	02-000010-00	FEED SHAFT	1	
25	02-000010-00	FEED SHAFT	1	
26	02-000010-00	FEED SHAFT	1	
27	02-000010-00	FEED SHAFT	1	
28	02-000010-00	FEED SHAFT	1	
29	02-000010-00	FEED SHAFT	1	
30	02-000010-00	FEED SHAFT	1	
31	02-000010-00	FEED SHAFT	1	
32	02-000010-00	FEED SHAFT	1	
33	02-000010-00	FEED SHAFT	1	
34	02-000010-00	FEED SHAFT	1	
35	02-000010-00	FEED SHAFT	1	
36	02-000010-00	FEED SHAFT	1	
37	02-000010-00	FEED SHAFT	1	
38	02-000010-00	FEED SHAFT	1	
39	02-000010-00	FEED SHAFT	1	
40	02-000010-00	FEED SHAFT	1	
41	02-000010-00	FEED SHAFT	1	
42	02-000010-00	FEED SHAFT	1	
43	02-000010-00	FEED SHAFT	1	
44	02-000010-00	FEED SHAFT	1	
45	02-000010-00	FEED SHAFT	1	
46	02-000010-00	FEED SHAFT	1	
47	02-000010-00	FEED SHAFT	1	
48	02-000010-00	FEED SHAFT	1	
49	02-000010-00	FEED SHAFT	1	
50	02-000010-00	FEED SHAFT	1	
51	02-000010-00	FEED SHAFT	1	
52	02-000010-00	FEED SHAFT	1	
53	02-000010-00	FEED SHAFT	1	
54	02-000010-00	FEED SHAFT	1	
55	02-000010-00	FEED SHAFT	1	
56	02-000010-00	FEED SHAFT	1	
57	02-000010-00	FEED SHAFT	1	
58	02-000010-00	FEED SHAFT	1	
59	02-000010-00	FEED SHAFT	1	
60	02-000010-00	FEED SHAFT	1	
61	02-000010-00	FEED SHAFT	1	
62	02-000010-00	FEED SHAFT	1	
63	02-000010-00	FEED SHAFT	1	
64	02-000010-00	FEED SHAFT	1	
65	02-000010-00	FEED SHAFT	1	
66	02-000010-00	FEED SHAFT	1	
67	02-000010-00	FEED SHAFT	1	
68	02-000010-00	FEED SHAFT	1	
69	02-000010-00	FEED SHAFT	1	
70	02-000010-00	FEED SHAFT	1	
71	02-000010-00	FEED SHAFT	1	
72	02-000010-00	FEED SHAFT	1	
73	02-000010-00	FEED SHAFT	1	
74	02-000010-00	FEED SHAFT	1	
75	02-000010-00	FEED SHAFT	1	
76	02-000010-00	FEED SHAFT	1	
77	02-000010-00	FEED SHAFT	1	
78	02-000010-00	FEED SHAFT	1	
79	02-000010-00	FEED SHAFT	1	
80	02-000010-00	FEED SHAFT	1	

6. HOOK SHAFT & LOWER SHAFT COMPONENTS

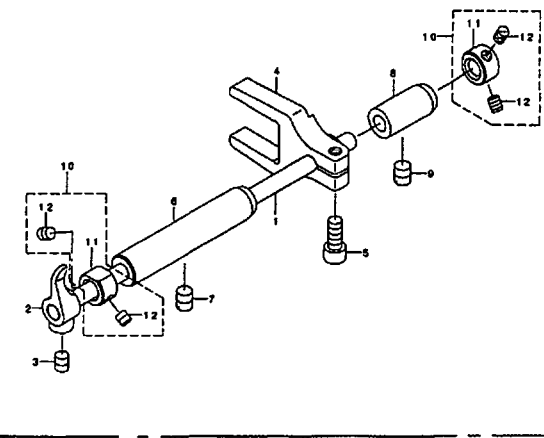
釜軸・下軸関係



REF. NO.	QTY	PART NO.	DESCRIPTION	UNIT	QTY
1	Q01	214-03206	HOOK SHAFT	シャフト	1
2	Q02	711-03200	HOOK SHAFT	シャフト	1
3	Q03	CS-000000-04	GIL W/CS	ギル	4
4	Q04	214-03202-TP	HOOK SHAFT BUSHING, FRONT	5/8" F 1/2" DIA	1
5	Q05	214-03202-TP	HOOK SHAFT BUSHING, REAR	5/8" F 1/2" DIA	1
6	Q06	214-03202-TP	HOOK SHAFT BUSHING, FRONT	5/8" F 1/2" DIA	1
7	Q07	214-03202-TP	HOOK SHAFT BUSHING, REAR	5/8" F 1/2" DIA	1
8	Q08	214-03202-TP	HOOK SHAFT BUSHING, FRONT	5/8" F 1/2" DIA	1
9	Q09	214-03202-TP	HOOK SHAFT BUSHING, REAR	5/8" F 1/2" DIA	1
10	Q10	214-03202-TP	HOOK SHAFT BUSHING, FRONT	5/8" F 1/2" DIA	1
11	Q11	214-03202-TP	HOOK SHAFT BUSHING, REAR	5/8" F 1/2" DIA	1
12	Q12	214-03202-TP	HOOK SHAFT BUSHING, FRONT	5/8" F 1/2" DIA	1
13	Q13	214-03202-TP	HOOK SHAFT BUSHING, REAR	5/8" F 1/2" DIA	1
14	Q14	214-03202-TP	HOOK SHAFT BUSHING, FRONT	5/8" F 1/2" DIA	1
15	Q15	214-03202-TP	HOOK SHAFT BUSHING, REAR	5/8" F 1/2" DIA	1
16	Q16	214-03202-TP	HOOK SHAFT BUSHING, FRONT	5/8" F 1/2" DIA	1
17	Q17	214-03202-TP	HOOK SHAFT BUSHING, REAR	5/8" F 1/2" DIA	1
18	Q18	214-03202-TP	HOOK SHAFT BUSHING, FRONT	5/8" F 1/2" DIA	1
19	Q19	214-03202-TP	HOOK SHAFT BUSHING, REAR	5/8" F 1/2" DIA	1
20	Q20	214-03202-TP	HOOK SHAFT BUSHING, FRONT	5/8" F 1/2" DIA	1
21	Q21	214-03202-TP	HOOK SHAFT BUSHING, REAR	5/8" F 1/2" DIA	1
22	Q22	214-03202-TP	HOOK SHAFT BUSHING, FRONT	5/8" F 1/2" DIA	1
23	Q23	214-03202-TP	HOOK SHAFT BUSHING, REAR	5/8" F 1/2" DIA	1
24	Q24	214-03202-TP	HOOK SHAFT BUSHING, FRONT	5/8" F 1/2" DIA	1
25	Q25	214-03202-TP	HOOK SHAFT BUSHING, REAR	5/8" F 1/2" DIA	1
26	Q26	214-03202-TP	HOOK SHAFT BUSHING, FRONT	5/8" F 1/2" DIA	1
27	Q27	214-03202-TP	HOOK SHAFT BUSHING, REAR	5/8" F 1/2" DIA	1
28	Q28	214-03202-TP	HOOK SHAFT BUSHING, FRONT	5/8" F 1/2" DIA	1
29	Q29	214-03202-TP	HOOK SHAFT BUSHING, REAR	5/8" F 1/2" DIA	1
30	Q30	214-03202-TP	HOOK SHAFT BUSHING, FRONT	5/8" F 1/2" DIA	1
31	Q31	214-03202-TP	HOOK SHAFT BUSHING, REAR	5/8" F 1/2" DIA	1
32	Q32	214-03202-TP	HOOK SHAFT BUSHING, FRONT	5/8" F 1/2" DIA	1
33	Q33	214-03202-TP	HOOK SHAFT BUSHING, REAR	5/8" F 1/2" DIA	1
34	Q34	214-03202-TP	HOOK SHAFT BUSHING, FRONT	5/8" F 1/2" DIA	1
35	Q35	214-03202-TP	HOOK SHAFT BUSHING, REAR	5/8" F 1/2" DIA	1
36	Q36	214-03202-TP	HOOK SHAFT BUSHING, FRONT	5/8" F 1/2" DIA	1
37	Q37	214-03202-TP	HOOK SHAFT BUSHING, REAR	5/8" F 1/2" DIA	1
38	Q38	214-03202-TP	HOOK SHAFT BUSHING, FRONT	5/8" F 1/2" DIA	1
39	Q39	214-03202-TP	HOOK SHAFT BUSHING, REAR	5/8" F 1/2" DIA	1
40	Q40	214-03202-TP	HOOK SHAFT BUSHING, FRONT	5/8" F 1/2" DIA	1
41	Q41	214-03202-TP	HOOK SHAFT BUSHING, REAR	5/8" F 1/2" DIA	1
42	Q42	214-03202-TP	HOOK SHAFT BUSHING, FRONT	5/8" F 1/2" DIA	1
43	Q43	214-03202-TP	HOOK SHAFT BUSHING, REAR	5/8" F 1/2" DIA	1
44	Q44	214-03202-TP	HOOK SHAFT BUSHING, FRONT	5/8" F 1/2" DIA	1
45	Q45	214-03202-TP	HOOK SHAFT BUSHING, REAR	5/8" F 1/2" DIA	1
46	Q46	214-03202-TP	HOOK SHAFT BUSHING, FRONT	5/8" F 1/2" DIA	1
47	Q47	214-03202-TP	HOOK SHAFT BUSHING, REAR	5/8" F 1/2" DIA	1
48	Q48	214-03202-TP	HOOK SHAFT BUSHING, FRONT	5/8" F 1/2" DIA	1
49	Q49	214-03202-TP	HOOK SHAFT BUSHING, REAR	5/8" F 1/2" DIA	1
50	Q50	214-03202-TP	HOOK SHAFT BUSHING, FRONT	5/8" F 1/2" DIA	1
51	Q51	214-03202-TP	HOOK SHAFT BUSHING, REAR	5/8" F 1/2" DIA	1
52	Q52	214-03202-TP	HOOK SHAFT BUSHING, FRONT	5/8" F 1/2" DIA	1
53	Q53	214-03202-TP	HOOK SHAFT BUSHING, REAR	5/8" F 1/2" DIA	1
54	Q54	214-03202-TP	HOOK SHAFT BUSHING, FRONT	5/8" F 1/2" DIA	1
55	Q55	214-03202-TP	HOOK SHAFT BUSHING, REAR	5/8" F 1/2" DIA	1
56	Q56	214-03202-TP	HOOK SHAFT BUSHING, FRONT	5/8" F 1/2" DIA	1
57	Q57	214-03202-TP	HOOK SHAFT BUSHING, REAR	5/8" F 1/2" DIA	1
58	Q58	214-03202-TP	HOOK SHAFT BUSHING, FRONT	5/8" F 1/2" DIA	1
59	Q59	214-03202-TP	HOOK SHAFT BUSHING, REAR	5/8" F 1/2" DIA	1
60	Q60	214-03202-TP	HOOK SHAFT BUSHING, FRONT	5/8" F 1/2" DIA	1
61	Q61	214-03202-TP	HOOK SHAFT BUSHING, REAR	5/8" F 1/2" DIA	1
62	Q62	214-03202-TP	HOOK SHAFT BUSHING, FRONT	5/8" F 1/2" DIA	1
63	Q63	214-03202-TP	HOOK SHAFT BUSHING, REAR	5/8" F 1/2" DIA	1

7. OPENER COMPONENTS (FOR DNU-1541S)

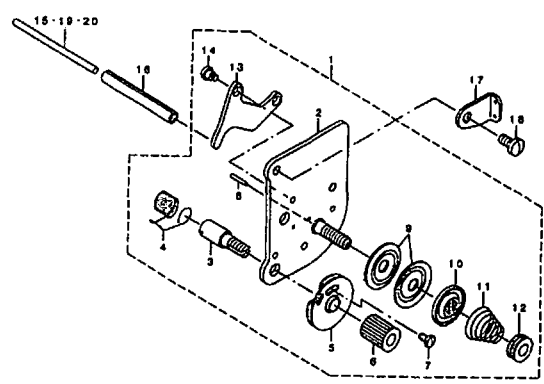
オープン関係 (DNU-1541S用)



REF. NO.	QTY	PART NO.	DESCRIPTION	UNIT	QTY
1		214-04504	OPENER SHAFT	シャフト	1
2		B1505-241-200	OPENER ARM	アーム	1
3		SM-0050602-TP	SCREW HS Lx4	1/4" x 4 HS Lx4	1
4		B1505-241-200	OPENER ARM	アーム	1
5		CS-001202-TP	SCREW HS10.8 Lx12	1/4" x 12 HS10.8 Lx12	1
6		214-04503	BUSHING, FRONT	2-7/8" x 1/2" DIA	1
7		SS-8150710-TP	SCREW 1/8-28 Lx7	1/4" x 7/8-28 Lx7	1
8		B1810-241-100	OPENER SHAFT REAR METAL	2-7/8" x 1/2" DIA	1
9		SS-8150710-TP	SCREW 1/8-28 Lx7	1/4" x 7/8-28 Lx7	1
10		CS-0010050-TP	YERUST COLLAR ASM, D=6.35 W=8	2.9519" D=6.35 W=8 P1	2
11		CS-0010050-TP	YERUST COLLAR B=4.75 W=8	2.9519" B=4.75 W=8	2
12		SS-8110510-TP	SCREW 11/64-40 Lx5	1/4" x 11/64-40 Lx5	(4)

8. THREAD TENSION COMPONENTS

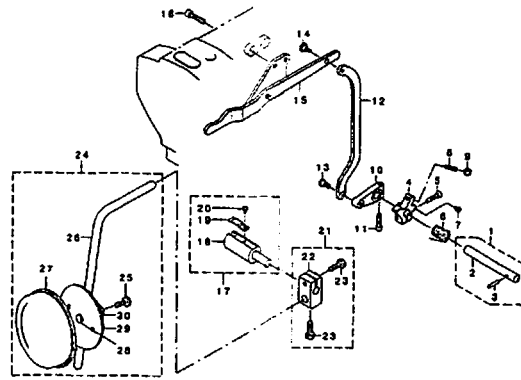
糸調子関係



REF. NO.	QTY	PART NO.	DESCRIPTION	UNIT	QTY
1		400-18906	THERAD TENSION ASW	糸調子機	1
2		214-89057	THERAD POST BASE COMPL.	糸調子機	(1)
3		103-20108	SCREW STUD	1/4" x 1/2"	(1)
4		B3127-051-000	TENSION RELEASE PIV. SHOR	1/4" x 1/2"	(1)
5		B3127-051-010	TAKE-UP SPRING GUIDE DISC ASM.	1/4" x 1/2" x 1/2"	(1)
6		103-20200	THERAD TENSION STUD KIT	1/4" x 1/2" x 1/2"	(1)
7		SS-4800610-SP	SCREW 1/8-44 Lx0.4	1/4" x 1/2" x 1/8-44 Lx0.4	(1)
8		B3127-051-000	TENSION RELEASE PIV. SHOR	1/4" x 1/2"	(1)
9		B3126-012-000	THERAD TENSION DISK	1/4" x 1/2"	(2)
10		226-17906	THERAD TENSION DISK PRESSER	1/4" x 1/2"	(1)
11		B3123-053-000	TENSION SPRING	1/4" x 1/2"	(1)
12		B3125-012-000	THERAD TENSION RUT	1/4" x 1/2"	(1)
13		B3134-521-000	TENSION RELEASE LEVER	1/4" x 1/2"	(1)
14		SD-0470181-SP	HINGE SCREW 3=4.7 H=2.8	5/16" x 3/8" H=2.8	(2)
15		230-06406	TENSION RELEASE BAR	1/4" x 1/2"	1
16		PS-0400503-EP	SPRING PIN	2" x 3/8" x 1/2"	1
17		214-09005	GUIDE PLATE	1/4" x 1/2" x 1/2"	1
18		SS-7110810-TP	SCREW 11/64-40 Lx0.5	1/4" x 11/64-40 Lx0.5	2
19		213-48206	TENSION RELEASE BAR	1/4" x 1/2"	1
20		103-21107	TENSION RELEASE BAR	1/4" x 1/2"	1

9. KNEE LIFTING COMPONENTS

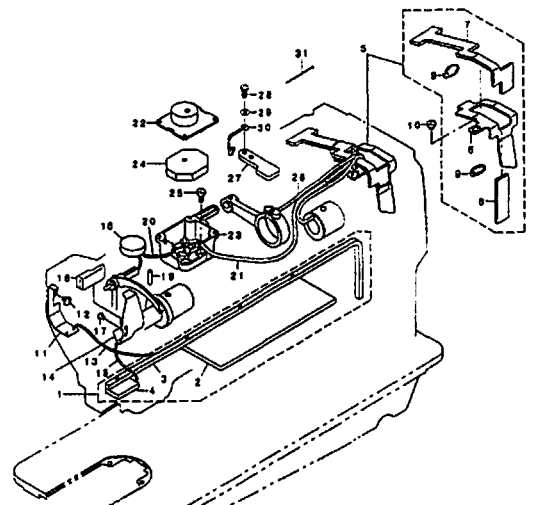
膝上げ関係



REF. NO.	NOTE	PART NO.	DESCRIPTION	QTY.	UNIT
1		214-04093	KNEE LIFTER SHAFT ASS.	1	(1)
2		214-04094	KNEE LIFTER SHAFT	1	(1)
3		210-42465	KNEE LIFTER SHAFT PIN	1	(1)
4		214-05009	KNEE LIFTER SPRING RACE	1	(1)
5		SE-6033001-TP	SCREW NS L-20	1	(1)
6		214-05007	KNEE LIFTER SHAFT BRIDGE	1	(1)
7		SD-0430411-CP	RIDGE SCREW M=4.5 B=4	1	(1)
8		SD-6033001-TP	SCREW NS30.8 L=25	1	(1)
9		RM-6040001-SD	ROT WASH. B	1	(1)
10		214-05709	KNEE LIFTER LEVER	1	(1)
11		SE-6033001-TP	SCREW NS L-20	1	(1)
12		214-05006	KNEE LIFTER CORRECTING PLATE	1	(1)
13		SD-0700451-CP	RIDGE SCREW M=7.0 B=4.5	1	(1)
14		SD-0700451-TP	RIDGE SCREW M=7.0 B=4.5	1	(1)
15		210-42355	KNEE LIFTER LEVER ASS.	1	(1)
16		SE-6033001-TP	SCREW NS L-20	1	(1)
17		220-63282	KNEE LIFTER JOINT ASS.	1	(1)
18		220-63291	KNEE LIFTER JOINT	1	(1)
19		KS458-021-000	PRESSER SPRING	1	(1)
20		SS-7080510-CP	SCREW 9/64-40 L=4.6	1	(1)
21		220-34153	BRACKET ASS.	1	(1)
22		220-34104	BRACKET	1	(1)
23		210-34707	SCREW	1	(1)
24		210-42157	KNEE PRESS PLATE ASS.	1	(1)
25		SE-6033001-TP	SCREW NS L-20	1	(1)
26		210-42108	KNEE PRESS PLATE	1	(1)
27		220-34309	KNEE PAD PLATE COVER	1	(1)
28		220-34400	KNEE PAD PLATE COVER	1	(1)
29		210-34301	KNEE PAD PLATE	1	(1)
30		220-34301	KNEE PAD PLATE SUPPORT	1	(1)

11. LUBRICATION COMPONENTS

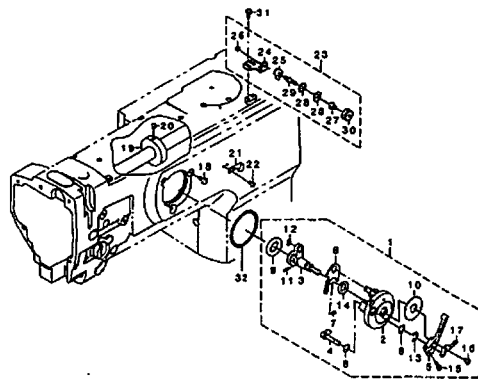
給油関係



REF. NO.	NOTE	PART NO.	DESCRIPTION	QTY.	UNIT
1		210-45756	ARM ONCE THROUGH OIL FELT ASS.	1	(1)
2		210-45707	ARM ONCE THROUGH FELT A	1	(1)
3		210-45806	FELT B	1	(1)
4		210-45805	YALC ONCE THROUGH FELT	1	(1)
5		210-46354	FELT SUPPORT ASS.	1	(1)
6		210-46307	FELT	1	(1)
7		210-46307	FEED CHANGE FELT	1	(1)
8		210-46468	FELT	1	(1)
9		ES-909020-00	CLIP CV-TGS	1	(1)
10		SS-8110400-CP	SCREW 11/64-40 L=4.3	1	(1)
11		210-47078	UPPER FEED OIL BOX PLATE	1	(1)
12		SS-7110310-CP	SCREW 11/64-40 L=5	1	(1)
13		CO-8020000-00	OIL WICK	1	(1)
14		210-47090	TALK-UP OIL PLATE	1	(1)
15		CO-8020000-00	OIL WICK	1	(1)
16		210-47058	TALK-UP LUBRICATION FELT	1	(1)
17		SS-8090610-CP	SCREW 9/64-40 L=6	1	(1)
18		210-46002	FELT	1	(1)
19		KS412-051-000	FELT	1	(1)
20		CO-8020000-00	OIL WICK	1	(1)
21		210-47058	TALK-UP FELT	1	(1)
22		210-47007	OIL TANK A	1	(1)
23		210-47008	OIL TANK B	1	(1)
24		210-47075	FELT	1	(1)
25		SS-8110110-CP	SCREW 11/64-40 L=8.5	1	(1)
26		CO-8020000-00	OIL WICK	1	(1)
27		210-37700	UPPER FEED STOPPER PLATE (B)	1	(1)
28		SS-811110-TP	SCREW	1	(1)
29		SS-0450401-SD	WASHER A, STATION. B	1	(1)
30		220-30204	OIL WICK HOLDER	1	(1)
31		LA-1500100-00	CLIP CV-TGS	1	(1)

10. LOWER THREAD WINDER MECHANISM COMPONENTS

下糸巻き装置関係

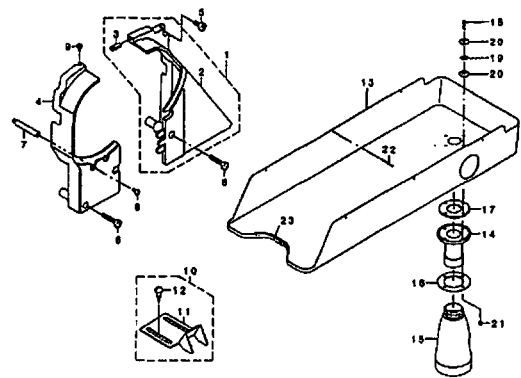


REF. NO.	NOTE	PART NO.	DESCRIPTION	QTY.	UNIT
1		210-37807	MOTOR WINDING ASS.	1	(1)
2		220-37808	MOTOR WINDING SHAFT COMPT.	1	(1)
3		210-37809	MOTOR SHAFT COMPT.	1	(1)
4		220-37810	MOTOR SHAFT COMPT.	1	(1)
5		220-37811	MOTOR LEVER	1	(1)
6		210-37812	ADJUSTING PLATE	1	(1)
7		KS412-050-000-4	ROLLER WITH SPRING	1	(1)
8		100-18204	VERTICAL ROLLED ROLLER	1	(1)
9		210-38228	MOTOR FRICTION SHAFT	1	(1)
10		220-37813	CLUTCH	1	(1)
11		KS412-050-000	ROLLER	1	(1)
12		SS-0504711-CP	SCREW 1/8-32 L=1.5	1	(1)
13		SS-0504711-CP	SCREW 1/8-32 L=1.5	1	(1)
14		SS-0504711-CP	SCREW 1/8-32 L=1.5	1	(1)
15		SS-0504711-CP	SCREW 1/8-32 L=1.5	1	(1)
16		140-12261	MOTOR ADJUSTING PLATE	1	(1)
17		SS-0450401-SD	WASHER A, STATION. B	1	(1)
18		157-04067	MOTOR FRICTION WHEEL	1	(1)
19		SS-0450401-SD	WASHER A, STATION. B	1	(1)
20		157-04067	MOTOR FRICTION WHEEL	1	(1)
21		SS-0450401-SD	WASHER A, STATION. B	1	(1)
22		210-37814	CLUTCH	1	(1)
23		210-37815	LARGE TORQUE SPRING ASS.	1	(1)
24		210-37816	CLUTCH LEVER	1	(1)
25		210-37817	CLUTCH SPRING	1	(1)
26		210-37818	CLUTCH SPRING	1	(1)
27		210-37819	CLUTCH SPRING	1	(1)
28		210-37820	CLUTCH SPRING	1	(1)
29		210-37821	CLUTCH SPRING	1	(1)
30		210-37822	CLUTCH SPRING	1	(1)
31		210-37823	CLUTCH SPRING	1	(1)
32		210-37824	CLUTCH SPRING	1	(1)

JUKI CORPORATION
 MARKETING & SALES H.Q.
 8-2-1, KOKURYUO - CHO, CHOFU-SHI
 TOKYO 182 - 8655, JAPAN
 PHONE: (0113)-3480-2357
 FAX: (0113)-3430-4909-491

12. BELT COVER & OIL RESERVOIR COMPONENTS

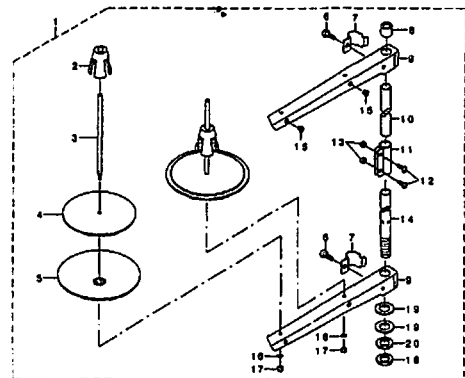
ベルトカバー・油受け関係



QTY.	FIG. NO.	NOTE	PART NO.	DESCRIPTION	UNIT
1			213-81160	BELT COVER ASM. (RIGHT)	1
(1)			213-81101	BELT COVER (RIGHT)	1
(1)			213-81902	BELT COVER AUXILIARY PLATE	1
1			213-81206	BELT COVER (LEFT)	1
1			SS-8181440-SP	SCREW 15/64-28 L=14	1
2			SS-8151040-SP	SCREW 15/64-28 L=30	2
1			D8232-241-EG0	BELT COVER SUPPORT A	1
1			SS-1110740-SP	SCREW 11/64-40 L=7.8	1
1			SS-1110740-TP	SCREW 11/64-40 L=6.5	1
1			107-85254	BELT COVER C ASM. (FOR JE)	1
(1)			107-85205	BELT COVER C (JE)	1
(2)			SS-3481500-SC	WOOD SCREW 3/4-8 L=25	2
1			214-13100	OIL RESERVOIR	1
1			88202-205-000	OIL MANAGEMENT	1
1			88121-013-000	OIL CAN	1
1			213-78603	OIL MANAGEMENT WASHER	1
1			20113-120-000	OIL SEAL	1
4			SN-1031401-SE	SCREEN M3.0 L=14	4
4			WP-0320901-SC	WASHER M3	4
8			107-48101	OIL REMOVING SETSCREW PACKING	8
4			NS-8035001-SC	SEAL	4
4			105-28904	SET NAIL	4
1			NAV-02130000	EDGE	1

13. THREAD STAND COMPONENTS

糸立て装置関係



QTY.	FIG. NO.	NOTE	PART NO.	DESCRIPTION	UNIT
1			228-30988	THREAD STAND ASM.	1
(2)			228-31100	SPOOL RETAINER	2
(2)			228-31000	SPOOL PIN	2
(2)			228-30803	SPOOL REST CUSHION	2
(2)			228-30804	SPOOL REST	2
(2)			NS-4081810-SC	SCREW M3 L=18	2
(2)			228-30705	THREAD GUIDE ARM JOINT	2
(1)			228-31406	SPOOL REST RQD RUBBER CAP	1
(2)			228-30507	SPOOL REST ARM	2
(1)			228-30408	SPOOL REST RQD, UPPER	1
(1)			228-31207	SPOOL REST RQD JOINT	1
(2)			SN-4051405-SE	SCREEN M3 L=14	2
(2)			NS-8080001-SE	WASHER M3	2
(1)			228-30509	SPOOL REST RQD, LOWER	1
(2)			228-31208	THREAD GUIDE	2
(2)			WS-0510003-EM	SPRING WASHER	2
(2)			NS-8080001-SE	WASHER M3	2
(2)			NS-8160011-SE	WASHER M3.0 L=12	2
(2)			WP-161616-SE	WASHER M3.0 L=16	2
(1)			WS-1043203-EM	SPRING WASHER	1

JUKI 株式会社

358 〒182-8855 東京都調布市国領町8-2-1 Copyright © 2004-2005 JUKI CORP.
 TEL. 03-3480-1111(代表) 本書の内容を無断で転載、複製することを
 営業本部 禁止します。
 TEL. 03-3480-2357(ダイヤルイン) All rights reserved throughout the world.
 Printed in Japan